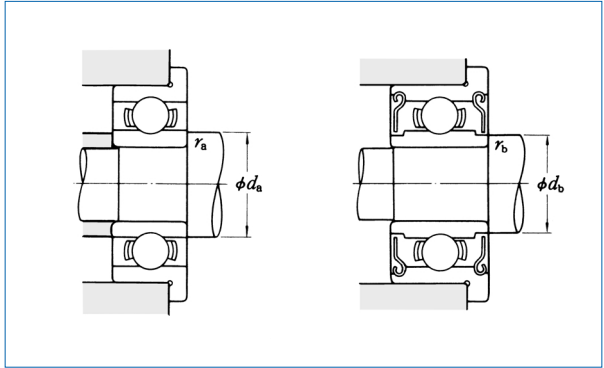


シールド形ZZ・ZS



フランジ付ミニチュア玉軸受(オープンタイプ)

フランジ付ミニチュア玉軸受(シールドタイプ)

型番 NSK	価格	外径内径		巾	フランジ		対照型番	
		D	d		外径	巾	N T N	N M B
MF41X	580	4	1.2	1.8	4.8	0.4	FLBC1.2-4	RF-412
F681X	580	4	1.5	1.2	5.0	0.4	FL68 / 1.5	LF-415
F691X	580	5	1.5	2	6.5	0.6	FL69 / 1.5	RF-515X
F601X	580	6	1.5	2.5	7.5	0.6	FL60 / 1.5	RF-615X
F682	580	5	2	1.5	6.1	0.5	FL682	LF-520X
MF52	580	5	2	2	6.2	0.6		
F692	570	6	2	2.3	7.5	0.6	FL692	RF-620X
MF62	580	6	2	2.5	7.2	0.6	FLBC2-6	RF-620W52
MF72	580	7	2	2.5	8.2	0.6		RF-720Y30
F602	580	7	2	2.8	8.5	0.7	FL602	RF-720X
F682X	580	6	2.5	1.8	7.1	0.5	FL68 / 2.5	LF-625
F692X	580	7	2.5	2.5	8.5	0.7	FL69 / 2.5	RF-725X
MF82X	580	8	2.5	2.5	9.2	0.6	FLBC2.5-8	RF-825Y52
F602X	580	8	2.5	2.8	9.5	0.7	FL60 / 2.5	RF-825X
MF63	530	6	3	2	7.2	0.6	FL673	LF-630
F683	500	7	3	2	8.1	0.5	FL683	LF-730X
MF83	530	8	3	2.5	9.2	0.6	FLBC3-8	RF-830Y52
F693	540	8	3	2.5	9.5	0.7	FL693	RF-830X
MF93	530	9	3	2.5	10.2	0.6	FLBC3-9	RF-930Y52
F603	580	9	3	3	10.5	0.7	FL603	RF-930X
F623	500	10	3	4	11.5	1.0	FL623	RE-1030X
MF74	530	7	4	2	8.2	0.6	FL673	LF-740
MF84	500	8	4	2	9.2	0.6	FCBC4-8	LF-840
F684	500	9	4	2.5	10.3	0.6	FL684	LF-940
MF104	500	10	4	3	11.2	0.6	FLBC4-10	LF-1040
F694	500	11	4	4	12.5	1.0	FL694	RF-1140X
F604	530	12	4	4	13.5	1.0	FL604	RF-1240
F624	500	13	4	5	15.0	1.0	FL624	RF-1340
F634	-	16	4	5	18.0	1.0	FL634	RF-1640
MF85	500	8	5	2	9.2	0.6	FL675	LF-850
MF95	500	9	5	2.5	10.2	0.6	FLBC5-9	LF-950
MF105	500	10	5	3	11.2	0.6	FLBC5-10	LF-1050
F685	500	11	5	3	12.5	0.8	FL685	LF-1150X
F695	500	13	5	4	15.0	1.0	FL695	RF-1350
F605	500	14	5	5	16.0	1.0	FL605	RF-1450
F625	-	16	5	5	18.0	1.0	FL625	RF-1650
F635	-	19	5	6	22.0	1.5	FL635	RF-1950
MF106	500	10	6	2.5	11.2	0.6	FL676	LF-1060
MF126	500	12	6	3	13.2	0.6	FLBC6-12	LF-1260
F686	500	13	6	3.5	15	1.0	FL686	LF-1360X
F696	500	15	6	5	17	1.2	FL696	RF-1560X
F606	500	17	6	6	19.0	1.2	FL606	RF-1760
MF117	500	11	7	2.5	12.2	0.6	FL677	LF-1170
MF137	500	13	7	3	14.2	0.6	FLBC7-13	LF-1370
F687	500	14	7	3.5	16	1.0	FL687	LF-1470X
MF128	500	12	8	2.5	13.2	0.6	FL678	LF-1280
MF148	500	14	8	3.5	15.6	0.8	FLBC8-14	LF-1480
F688	470	16	8	4	18	1.0	FL688	LF-1680X

型番 NSK	価格	外径内径		巾	フランジ		対照型番	
		D	d		B1	外径	巾	N T N
F681XZZ	580	4	1.5	2	5	0.6	FLW68 / 1.5ZZ	
F691XZZ	580	5	1.5	2.6	6.5	0.8	FLW69 / 1.5ZZ	RF-515ZZX
F601XZZ	580	6	1.5	2.6	7.5	0.8	FLW60 / 1.5ZZ	RF-615ZZX
F682ZZ	580	5	2	2.3	6.1	0.6	FLW682ZZ	LF-520ZZX
MF52ZZ	580	5	2	2.5	6.2	0.6		
F692ZZ	580	6	2	3	7.5	0.8	FLW692ZZ	RF-620ZZX
MF72ZZ	580	7	2	3	8.2	0.6	FLWBC2-7ZZ	
F602ZZ	580	7	2	3.5	8.5	0.9	FLW602ZZ	RF-720ZZX
F682XZZ	580	6	2.5	2.6	7.1	0.8	FLW68 / 2.5ZZ	LF-625ZZ
F692XZZ	580	7	2.5	3.5	8.5	0.9	FLW69 / 2.5ZZ	RF-725ZZX
F602XZZ	580	8	2.5	4	9.5	0.9	FLW69 / 2.5ZZ	RF-825ZZX
MF63ZZ	530	6	3	2.5	7.2	0.6		LF-630ZZ
F683ZZ	500	7	3	3	8.1	0.8	FLW683ZZ	RF-730ZZX
F693ZZ	580	8	3	4	9.5	0.9	FLW693ZZ	RF-830ZZX
MF93ZZ	530	9	3	4	10.6	0.8		RF-930ZZY04
F623ZZ	500	10	3	4	11.5	1.0	FL623ZZ	RF-1030ZZX
MF74ZZ	530	7	4	2.5	8.2	0.6		LF-740ZZ
MF84ZZ	440	8	4	3	9.2	0.6		LF-840ZZ
F684ZZ	500	9	4	4	10.3	1.0	FLW684ZZ	LF-940ZZX
MF104ZZ	500	10	4	4	11.6	0.8		LF-1040ZZ
F694ZZ	530	11	4	4	12.5	1.0	FL694ZZ	RF-1140ZZX
F604ZZ	530	12	4	4	13.5	1.0	FL604ZZ	RF-1240ZZ
F624ZZ	500	13	4	5	15.0	1.0	FL624ZZ	RF-1340ZZ
F634ZZ	-	16	4	5	18.0	1.0	FL634ZZ	RF-1640ZZ
MF85ZZ	500	8	5	2.5	9.2	0.6		LF-850ZZ
MF95ZZ	500	9	5	3	10.2	0.6		LF-950ZZ
MF105ZZ	500	10	5	4	11.6	0.8		LF-1050ZZ
F685ZZ	500	11	5	5	12.5	1.0	FLW685ZZ	LF-1150ZZX
F695ZZ	500	13	5	4	15	1.0	FL695ZZ	RF-1350ZZX
F605ZZ	440	14	5	5	16.0	1.0	FL605ZZ	RF-1450ZZ
F625ZZ	-	16	5	5	18.0	1.0	FL625ZZ	RF-1650ZZ
F635ZZ	-	19	5	6	22.0	1.5	FL635ZZ	RF-1950ZZ
MF106ZZ	450	10	6	3	11.2	0.6		LF-1060ZZ
MF126ZZ	450	12	6	4	13.6	0.8		LF-1260ZZ
F686ZZ	500	13	6	5	15	1.1	FLW686ZZ	LF-1360ZZX
F696ZZ	440	15	6	5	17	1.2	FL696ZZ	RF-1560ZZX
F606ZZ	530	17	6	6	19	1.2	FL606ZZ	RF-1760ZZ
MF117ZZ	500	11	7	3	12.2	0.6		LF-1170ZZ
MF137ZZ	500	13	7	4	14.6	0.8		LF-1370ZZ
F687ZZ	500	14	7	5	16	1.1	FLW687ZZ	LF-1470ZZY
MF128ZZ	450	12	8	3.5	13.6	0.8		LF-1280ZZ
MF148ZZ	500	14	8	4	15.6	0.8		LF-1480ZZ
F688ZZ	500	16	8	5	18	0.1	FLW688ZZ	LF-1680ZZX

空圧・油圧・真空

直動システム・関連

ロボット・FA

制御・検出・計測

駆動・回転

軸受・素材・機械

6

動力伝達・伝動

搬送・運搬

ポンプ・送風機・粉体

工場設備・環境